



GLOBE

# GLOBE Standard Sleeve®

Boring bar sleeve for CNC lathe

Design that makes it easy to hit the coolant against the boring bar.  
Coolant can be jetted firmly to the root of the boring bar.

Registered Design  
No.1697444



PR Movie

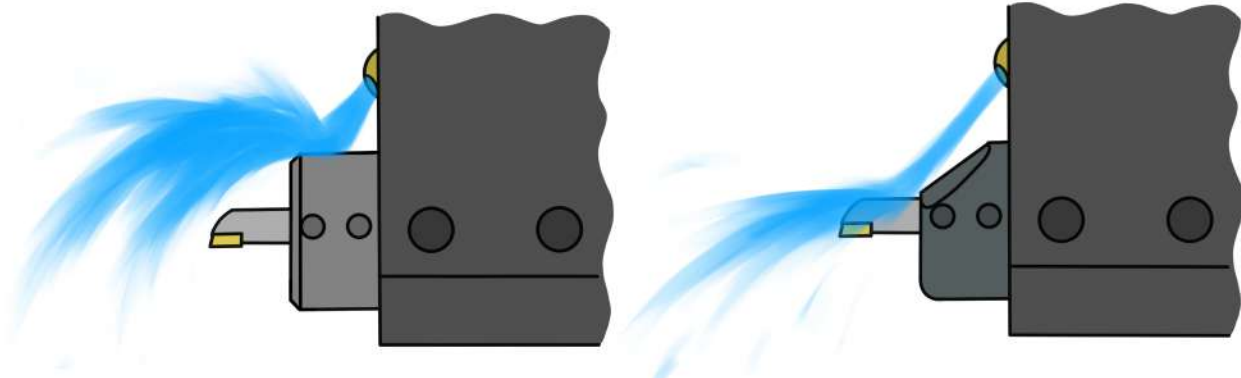


Home



# GLOBE

- Since the brim of the "GLOBE Standard sleeve" is cut diagonally, the brim of the sleeve does not interfere with the coolant.



Third-party / general boring bar sleeve

GLOBE Standard sleeve®

- Compatible with CNC lathes of various manufacturers, from the latest machines to old machines.
- Durability and accuracy are excellent due to total quenching and inner/outer diameter ground finish.

Copper pipes are also available for convenient coolant adjustment. Please feel free to contact us.



An instructional video on how to use is available.

Please see from the QR code.

How to



SS-  $\Phi d$   $\Phi D$

	d	D	L <sub>1</sub>	L <sub>2</sub>	D <sub>i</sub>	screw	Fig.
SS-0525	5	25	50	18	32	M4	1
SS-0625	6	25	50	18	32	M4	1
SS-0725	7	25	50	18	32	M5	1
SS-0825	8	25	50	18	32	M5	1
SS-1025	10	25	50	18	32	M6	1
SS-1225	12	25	50	18	32	M6	1
SS-1425	14	25	50	15	32	M6	1
SS-1625	16	25	50	15	32	M5	1
SS-2025	20	25	50	15	32	M6	2
SS-0532	5	32	65	20	38	M4	1
SS-0632	6	32	65	20	38	M4	1
SS-0732	7	32	65	20	38	M5	1
SS-0832	8	32	65	20	38	M5	1
SS-1032	10	32	65	20	38	M6	1
SS-1232	12	32	65	20	38	M6	1
SS-1432	14	32	65	20	38	M8	1
SS-1632	16	32	65	15	38	M8	1
SS-2032	20	32	65	16	40	M8	1
SS-2532	25	32	65	16	40	M8	2
SS-0540	5	40	75	23	46	M4	1
SS-0640	6	40	75	23	46	M4	1
SS-0740	7	40	75	23	46	M5	1
SS-0840	8	40	75	23	46	M5	1
SS-1040	10	40	75	23	46	M6	1
SS-1240	12	40	75	23	46	M6	1
SS-1440	14	40	75	23	46	M8	1
SS-1640	16	40	75	23	46	M8	1
SS-2040	20	40	75	20	46	M8	1
SS-2540	25	40	75	20	50	M8	1
SS-3240	32	40	75	20	46	M8	2

Fig.1

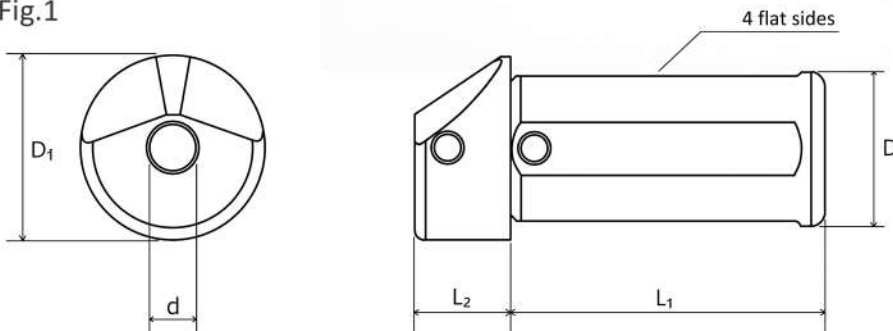
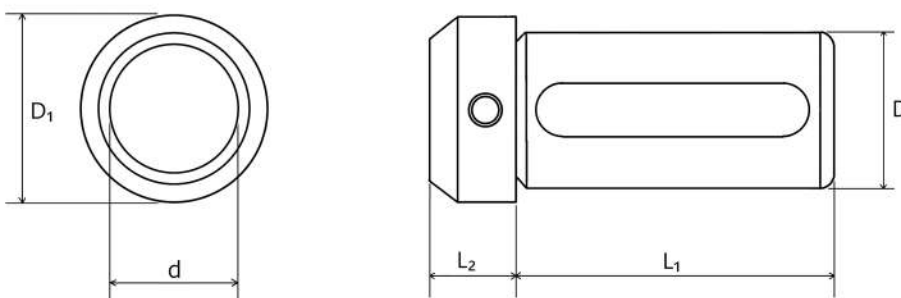


Fig.2



※Product specifications are subject to change without notice.